

1 2 3 4 5 6

A

B

C

D

A

B

C

D

5/8-11 THREAD x 1-1/8 DEEP
C'BORE DIA .642 x .300 DEEP

PRECISION GROUND
FOR DUAL CONTACT FIT

Ø 2.50

Ø 1.75

Ø 1.75

Ø 1.85

Ø 1.00

LOCK SCREW
1/2-20 x 1.0 SHCS

.645

2.70

0

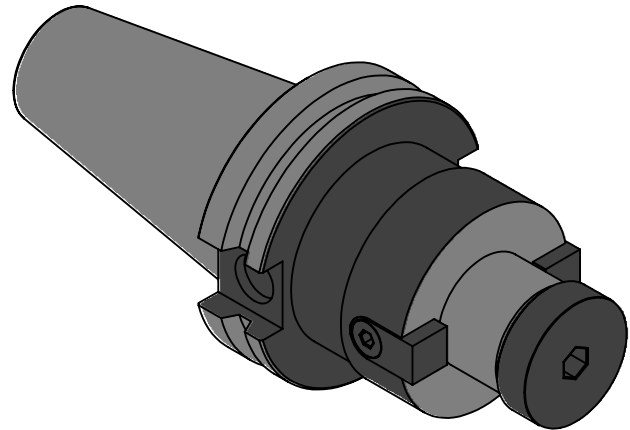
.04

.75

1.35

2.00

2.64



NOTES:
WORKS ON ALL CAT40 MACHINES WITH DUAL CONTACT SPINDLES
COMPATIBLE WITH BIG-PLUS® SPINDLES
HOLDER USES LOCK SCREW 1/2-20 x 1.0 SHCS SHCS (INCLUDED)
FOR MORE PRODUCT DETAILS PLEASE GO TO MARITOO.COM
AND SEARCH ITEM # LISTED ON THIS PRINT

MARITOO

WWW.MARITOO.COM

ITEM# **CAT40 FMA1.0-2.0MD**

Made in USA

1 2 3 4 5 6